

auto electrical parts

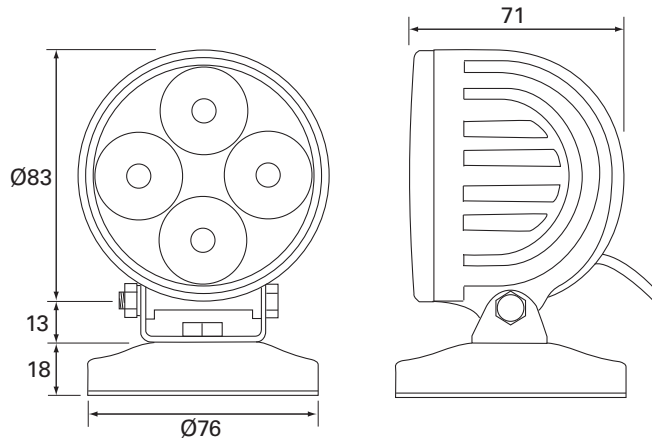
Technical Information Sheet

Part No. 0-420-68

A powerful 4 x 3 watt 12/24 volt LED work lamp. Low current draw, 1 amp at 12 volt dc. Black powder coated die cast aluminium case, polycarbonate lens, supplied with stainless steel adjustable bracket, magnetic base and 2.5 metre working length retractable cable with a cigarette lighter plug. Protected to IP67. I 82 x w 71 x h 114mm.



Technical Drawing (not to scale)



Specification

| | |
|-----------------------|--|
| Type | LED work lamp |
| Voltage | 10-30 volt dc |
| Current | 1.0 amp at 12 volt dc |
| LEDs | 4 x 3W Epistar LEDs |
| Light intensity | 900 lumen |
| Housing | Die cast aluminium |
| Bracket | Stainless steel |
| Cable | Coiled retractable 2.5m working length |
| Lens | PMMA |
| Degree of protection | IP67 |
| Operating temperature | -40°C to +60°C |
| Weight | 680g |
| Dimensions | I 82 x w 71 x h 114mm |

The information contained in this document is correct to the best of our knowledge at the time of printing. However, specifications may change at any time without notice.